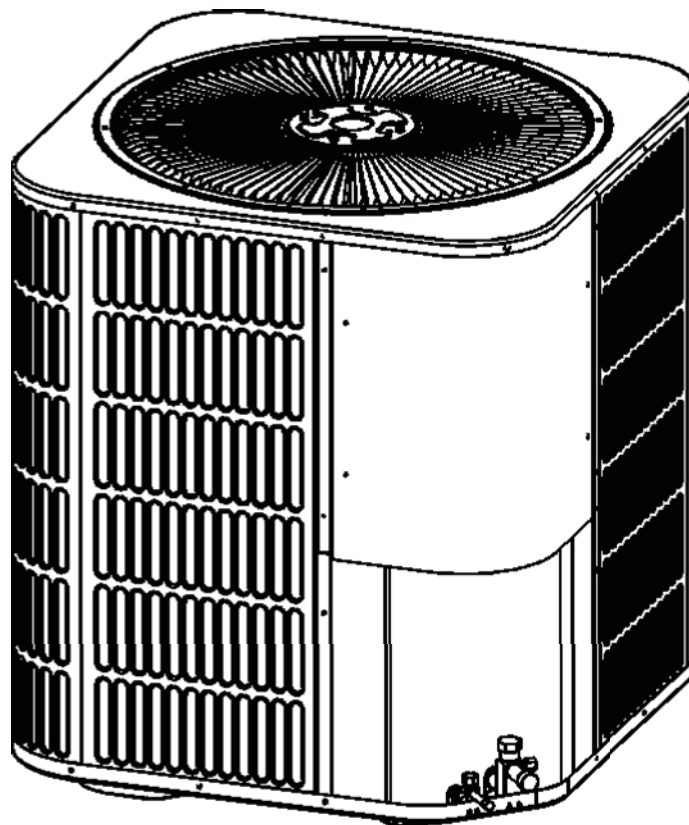


KLIMAIRE[®] ≈

**TECHNICAL SPECIFICATIONS
13 SEER SERIES
HEAT PUMP & CONDENSING UNITS**



MODEL IDENTIFICATION CODES

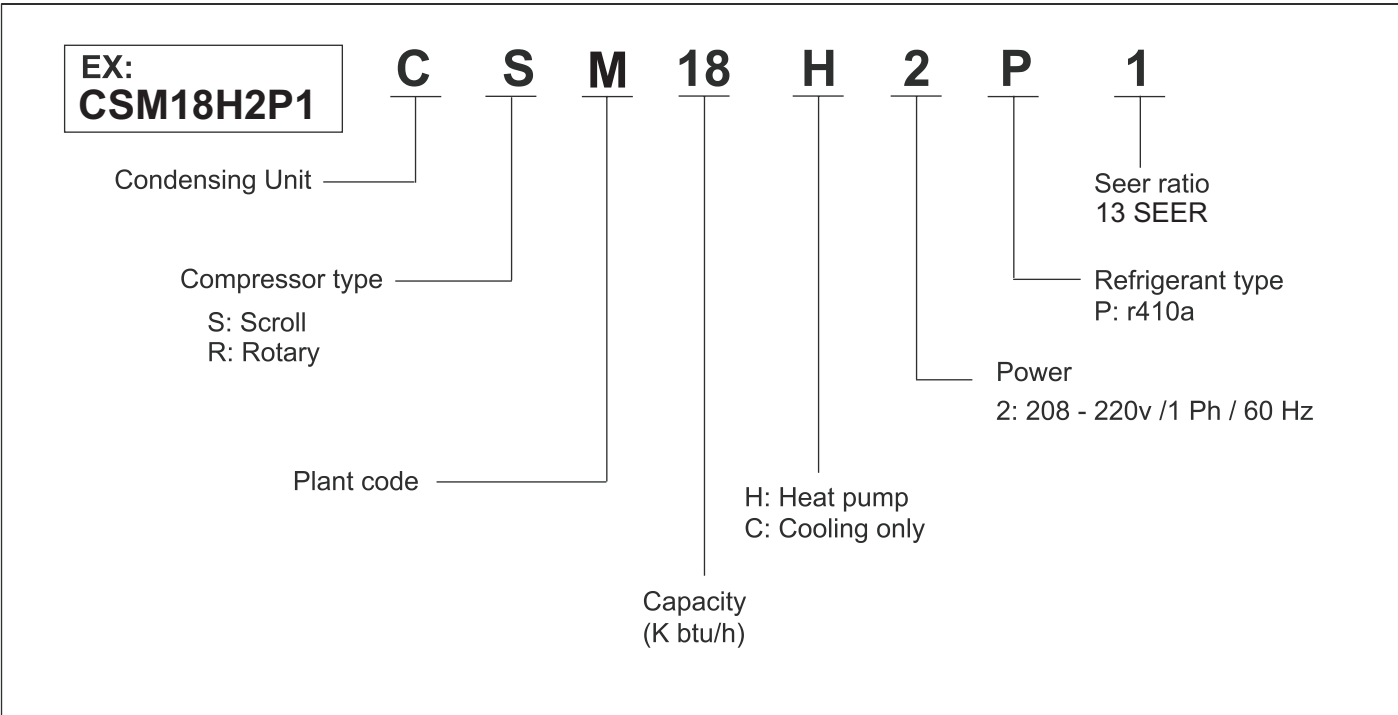


TABLE 6:Physical and Electrical Data for A/C Systems.

Model Number	CRM18C2P13	CRM24C2P13	CRM30C2P13	CSM36C2P13	
Product name					
Nominal Tons	1.5	2.0	2.5	3.0	
Power supply	208/230V 1Ph 60Hz	208/230V 1Ph 60Hz	208/230V 1Ph 60Hz	208/230V 1Ph 60Hz	
Cooling	Capacity	23000	30000	35000	
	SEER	13	13	13	
Compressor	Model	PA150X2CS-3KUU	PA200X2CS-3MUU	ZP31K5E-PFV-130	
	Type	Rotary	Rotary	Scroll	
	Brand	Toshiba	Toshiba	copeland	
	Supplier	Toshiba	Toshiba	copeland	
	Capacity	15340	20130	28090	
	Input	1510	1980	2706	
	Rated current(RLA)	6.65	8.75	12	
	Locked rotor Amp(LRA)	32.6	34.8	59.93	
	Capacitor	40	50	55	
	Refrigerant oil	750	750	750	
Fan Motor	Input	125	123	210	
	Capacitor	6	6	6	
	Speed	845	845	845	
		1.7	2	2	
Coil	Number of rows	25	28	28	
	Number of tubes	21 x 13.37	21 x 13.37	21 x 13.37	
	Tube pitch(a)x row pitch(b)	7	7	7	
	Tube outside dia.and type	innergroove tube	innergroove tube	innergroove tube	
	Fin Coil Dimension	1419 x 588 x 26.74	1603 x 588 x 26.74	2043 x 588 x 26.74	
	Dimension		63-1/8" x 23-1/8" x 1"	80-1/2" x 23-1/8" x 1"	85-1/8" x 23-1/8" x 1"
		Body (W*D*H)	554 x 554 x 633	600 x 600 x 633	710 x 710 x 633
Packing (W*D*H)		21-7/8" x 21-7/8" x 24-15/16"	23- 5/8" x 23- 5/8" x 24-15/16"	28" x 28" x 24-15/16"	
Net/Gross weight		644 x 644 x 658	690 x 690 x 658	800 x 800 x 658	
		25-3/8" x 25-3/8" x 25-7/8"	27-1/8" x 27-1/8" x 25-7/8"	31-1/2" x 31-1/2" x 25-7/8"	
Connection wiring		54/59	58/63	71/77	
		119/130	128/139	156/169	
Signal wiring		2.0	2.0	3.3	
		0.8	0.8	0.8	
Remarks: The specifications may change due to product improvement.					

TABLE 7: Physical and Electrical Data for Systems.

Model Number	CSM42C2P13	CSM48C2P13	CSM60C2P13
Product name	13 SEER Condensing Units		
Nominal Tons	3.5	4.0	5.0
Power supply	208/230V 1Ph 60Hz	208/230V 1Ph 60Hz	208/230V 1Ph 60Hz
Capacity	42000	48000	57500
SEER	13	13	13
Model	ZP36K5E-PFV-130	ZP42K5E-PFV-130	ZP51K5E-PFV-130
Type	Scroll	Scroll	Scroll
Brand	copeland	copeland	copeland
Supplier	copeland	copeland	copeland
Capacity	36000	42000	51010
Input	3540	4070	4860
Rated current(RLA)	16.3	18.4	21.8
Locked rotor Amp(LRA)	112	117	134
Capacitor	45	70	70
Refrigerant oil	1240	1240	1240
Input	383	375	377
Capacitor	15	15	15
Speed	1085	1085	1120
Number of rows	2	2	2
Number of tubes	34	38	38
Tube pitch(a)x row pitch(b)	21 x 13.37	21 x 13.37	21 x 13.37
Tube outside dia.and type	7 innergroove tube	7 innergroove tube	7 innergroove tube
Fin Coil Dimension	2043 x 714 x 26.74	2043 x 798 x 26.74	2163 x 798 x 26.74
Body (W*D*H)	80-1/2" x 28-1/8" x 1"	80-1/2" x 31-3/8" x 1"	85-1/8" x 31-3/8" x 1"
Packing (W*D*H)	710 x 710 x 759	710 x 710 x 843	740 x 740 x 843
Net/Gross weight	28" x 28" x 29-7/8"	28" x 28" x 33-3/16"	29-1/8" x 29-1/8" x 33-3/16"
Connection wiring	800 x 800 x 784	800 x 800 x 868	830 x 830 x 868
Remarks	31-1/2" x 31-1/2" x 30-7/8"	31-1/2" x 31-1/2" x 34-1/8"	32-5/8" x 32-5/8" x 34-1/8"
	87/94	91/98	97/104
	191/207	200/216	213/229
	4	4	6
	0.8	0.8	0.8

Remarks: The specifications may change due to product improvement.

TABLE 8: Physical and Electrical Data for H/P Systems.

Model Number	CRM18H2P13	CRM24H2P13	CRM30H2P13	CSM36H2P13	
Product name	13 SEER Condensing Units				
Nominal Tons	1.5	2.0	2.5	3.0	
Power supply	208/230V 1Ph 60Hz	208/230V 1Ph 60Hz	208/230V 1Ph 60Hz	208/230V 1Ph 60Hz	
Cooling	Capacity Btu/h	22400	29000	36000	
Heating	SEER	13	13	13	
	Capacity Btu/h	18000	22000	35000	
Compressor	HSPF	7.7	7.7	8.2	
	Model	PA160X2CS-3KUU	PA200X2CS-3MUU	ZP31K5E-PFV-130	
	Type	Rotary	Rotary	Scroll	
	Brand	Toshiba	Toshiba	Copeland	
	Supplier	Midea-Toshiba	Midea-Toshiba	Copeland	
	Capacity Btu/h	16310	20130	31050	
	Input W	1605	1980	3070	
	Rated current(RLA)	7.00	8.75	12	
	Locked rotor Amp(LRA)	32.6	34.8	59.93	
	Capacitor uF	40	50	55	
Fan Motor	Refrigerant oil ml	750	750	740	
	Input W	104	104	205	
	Capacitor uF	6	6	6	
	Speed r/min	800	800	845	
	Number of rows	2	2	2	
	Number of tubes	28	28	28	
	Tube pitch(a)x row pitch(b)	21 x 13.37	21 x 13.37	21 x 13.37	
	Tube outside dia.and type	7 innergroove tube	7 innergroove tube	7 innergroove tube	
	Dimension	Fin Coil Dimension	1603 x 588 x 26.74	2043 x 588 x 26.74	2163 x 588 x 26.74
		Body (W*D*H)	63-1/8" x 23-1/8" x 1"	63-1/8" x 23-1/8" x 1"	85-1/8" x 23-1/8" x 1"
Packing (W*D*H)		600 x 600 x 633	600 x 600 x 633	740 x 740 x 633	
Net/Gross weight		23-5/8" x 23-5/8" x 24-15/16"	23-5/8" x 23-5/8" x 24-15/16"	29-1/8" x 29-1/8" x 24-15/16"	
Connection wiring		690 x 690 x 658	690 x 690 x 658	800 x 800 x 658	
Remarks:	kg	27-1/8" x 27-1/8" x 25-7/8"	31-1/2" x 31-1/2" x 25-7/8"	32-5/8" x 32-5/8" x 25-7/8"	
	lbs	59/64	61/66	78/84	
	mm2	130/141	165/176	172/185	
Signal wiring	2.0	2.0	3.3	3.3	
	0.8	0.8	0.8	0.8	

Remarks: The specifications may change due to product improvement.

TABLE 9: Physical and Electrical Data for H/P Systems.

Model Number		CSM42H2P13	CSM48H2P13	CSM60H2P13	
Product name		13 SEER Condensing Units			
Nominal Tons		3.5	4.0	5.0	
Power supply		208/230V 1Ph 60Hz	208/230V 1Ph 60Hz	208/230V 1Ph 60Hz	
Cooling	Capacity	42000	48000	57000	
	SEER	13	13	13	
Heating	Capacity	43000	48000	58000	
	HSPF	8.2	8.2	8.2	
Compressor	Model	ZP39K5E-PFV-130	ZP42K5E-PFV-130	ZP51K5E-PFV-130	
	Type	Scroll	Scroll	Scroll	
	Brand	Copeland	Copeland	Copeland	
	Supplier	Copeland	Copeland	Copeland	
	Capacity	39080	42000	51010	
	Input	3790	4070	4860	
	Rated current(RLA)	17.5	18.4	21.8	
	Locked rotor Amp(LRA)	109	117	134	
	Capacitor	45	70	70	
	Refrigerant oil	1240	1240	1240	
Fan Motor	Input	383	372	377	
	Capacitor	15	15	15	
Coil	Speed	1090	1090	1120	
	Number of rows	2	2	2	
	Number of tubes	34	38	38	
	Tube pitch(a)x row pitch(b)	21 x 13.37	21 x 13.37	21 x 13.37	
	Tube outside dia.and type	7 innergroove tube	7 innergroove tube	7 innergroove tube	
	Fin Coil Dimension	mm	2043 x 714 x 26.74	2043 x 798 x 26.74	2163 x 798 x 26.74
		inch	80-1/2" x 28-1/8" x 1"	80-1/2" x 31-3/8" x 1"	85-1/8" x 31-3/8" x 1"
	Body (W*D*H)	mm	710 x 710 x 759	710 x 710 x 843	740 x 740 x 843
		inch	28" x 28" x 29-7/8"	28" x 28" x 33-3/16"	29-1/8" x 29-1/8" x 33-3/16"
	Packing (W*D*H)	mm	800 x 800 x 784	800 x 800 x 868	830 x 830 x 868
inch		31-1/2" x 31-1/2" x 30-7/8"	31-1/2" x 31-1/2" x 34-1/8"	32-5/8" x 32-5/8" x 34-1/8"	
Net/Gross weight	Kg	91/98	97/104	101/108	
	lbs	200/216	213/223	222/238	
Connection wiring	Power wiring	4	4	6	
	Signal wiring	0.8	0.8	0.8	
Remarks: The specifications may change due to product improvement.					



7909 N.W. 54th Street, Miami, FL 33166 USA
Phone: +1 (305) 593-8358 - Fax: + 1 (305) 593 8212
e-mail: sales@klimaïre.com www.klimaïre.com